

30th of April, 2018

DECKSHEET Pty Ltd

STRUCTURAL DESIGN CERTIFICATE -

STA CONSULTING ENGINEERS, being the structural engineers, certify that the structural design of the listed aspects of this project comply with the relevant provisions of the standard building codes listed below and with accepted engineering practices and principles.

The project details are as described below:

Client: DECKSHEET Pty Ltd
STA Consulting Engineers Job number: CE165956-B
Project Description: Decksheet Fixing
Certificate Expiration Date: 30st of April 2019

The structural items certified are:

Fixing details for DECKSHEET to timber joists only.

The abovementioned building work has been designed in accordance with the principals of structural mechanics and if constructed reasonably in accordance with the documentation produced by this office, shall be capable of providing a resistance greater than the most critical action effect resulting from the different combinations of actions as described by AS/NZ 1170.0:2002 considering the following loads:

<u>Permanent Actions</u>	Gravity Loads determined from building dimensions and materials used,
<u>Imposed Actions</u>	Live Loads and Construction Loads

The structural resistance of the materials and forms of construction have been determined in accordance with the following standards:

- AS 1170.0:2002 General Principles
- AS 1170.1:2002 Permanent, Imposed and other Actions
- AS 1720.1 2010 Timber Structures

-Residential Timber Decks, Technical Data Sheet

Drawings by STA Consulting Engineers drawing Job Number: CE165956-B drawing sheet S01

Details of person certifying:

Name: Nigel Wilson

Position: Senior Structural Engineer, RPEQ. 4488

Name of firm for and behalf of which signed: **STA Consulting Engineers**

Business Address: No. 241 Milton Road, Milton QLD 4064 Phone: (07) 3071 7444



Date: 30th of April, 2018

Nigel Wilson

For and on behalf of **STA CONSULTING ENGINEERS**



BRISBANE (NORTH)

(Head Office)
241 Milton Road
MILTON QLD 4064

PO Box 2629
Toowong QLD 4066

Telephone: 07 3071 7444
Facsimile: 07 3876 2763

BRISBANE (SOUTH)

1821 Ipswich Road
ROCKLEA QLD 4106

Telephone: 07 3071 7444
Facsimile: 07 3876 2763

GOLD COAST

Unit 1/486 Scottsdale Drive
VARSITY LAKES QLD 4227

Telephone: 07 5522 1995
Facsimile: 07 5522 1776

ADELAIDE

12 Melbourne Street
NORTH ADELAIDE SA 5006

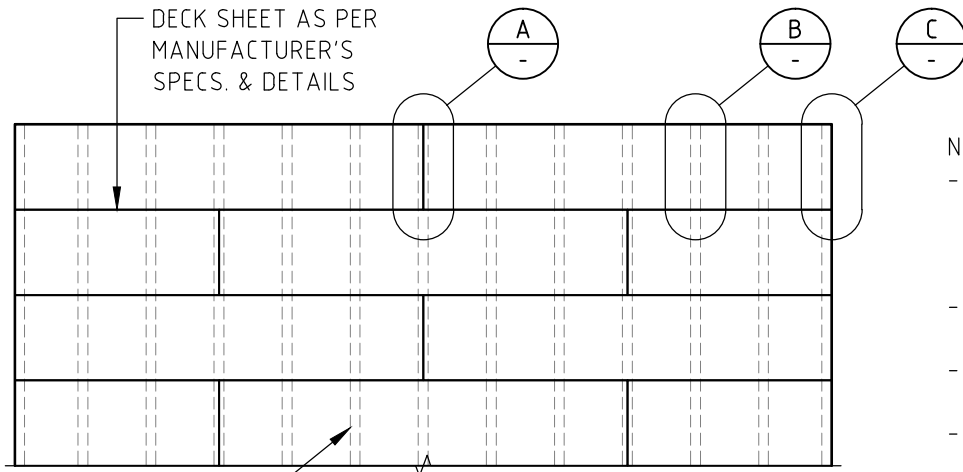
Telephone: 08 8267 6093
Facsimile: 08 8267 6040

MACKAY

Rural View LPO
PO Box 125
BUCASIA QLD 4750

Telephone: 07 4960 4800
Facsimile: 07 3876 2763

www.staconsulting.com.au

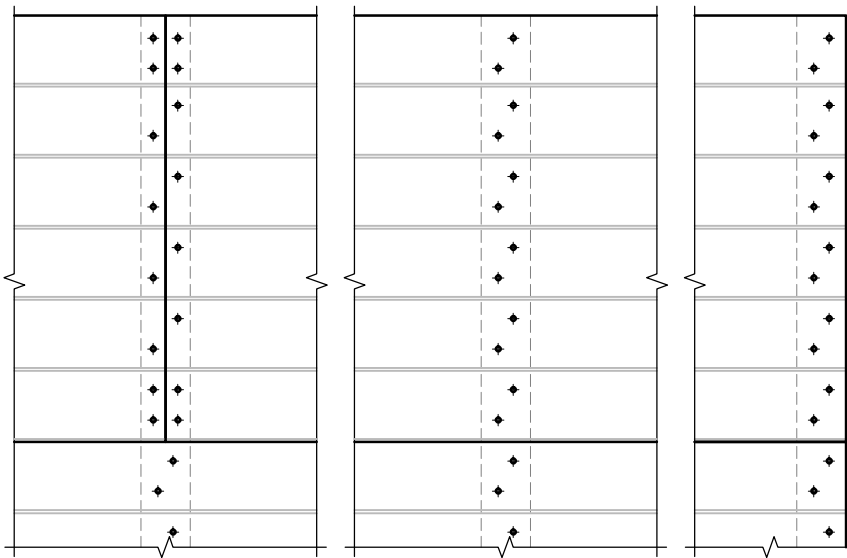


JOIST BY OTHERS
(MIN. 45 THK)

DECK SHEET LAYOUT PLAN
SCALE 1:50

NOTE:

- WHERE JOISTS ARE TREATED SOFTWOOD, NAILS SHALL BE DEFORMED RING SHANK, OR ALTERNATIVELY SCREWS.
- 19mm THICK DECKSHEET NAILS TO BE MIN. 50x2.8 GALV. BULLET HEAD
- 25mm THICK DECKSHEET NAILS TO BE MIN. 65x2.8 GALV. BULLET HEAD
- NAILS SHALL BE HOT DIPPED GALVANISED OR STAINLESS STEEL (NOT ZINC PLATED). WITHIN 1 METRE OF SWIMMING POOLS, STAINLESS STEEL OR SILICON BRONZE FIXINGS ARE RECOMMENDED.
- NAILS SHALL BE KEPT 12mm FROM EDGES AND ENDS OF BOARDS. NAIL HOLES AT BUTT JOINTS SHALL BE PREDRILLED (80% NAIL DIAMETER) TO AVOID SPLITTING.
- PROVISION FOR EXPANSION AND SHRINKAGE OF DECK SHEET BY OTHERS

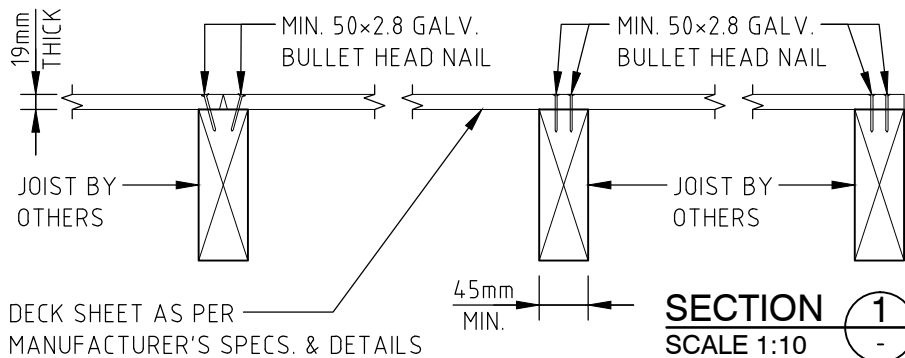


DETAIL A
SCALE 1:10

DETAIL B
SCALE 1:10

DETAIL C
SCALE 1:10

DECK SHEET NAILS/SCREWS LAYOUT PLAN



SECTION 1
SCALE 1:10

DESIGNED: NW	APPROVED: NW
DRAWN: FT	DATE: 27/04/18
CHECKED: BMCD	SCALE: AS SHOWN

© This drawing remains the copyright of STA Consulting Engineers Pty. Ltd. and can not be copied, wholly or partly without the consent of the above mentioned company.

STA CONSULTING ENGINEERS
ACN 153 047 566
No. 241 MILTON Rd.
MILTON QLD 4064
PHONE: (07) 3071 7444
FAX: (07) 3876 2763



DRAWING TITLE:
DECKSHEET PTY LTD
DECK SHEET LAYOUT AND DETAILS

JOB No.: CE165956-B	DRG No.: S01	SHEET: OF	REV:
		1 1	0